

## Intercomp CS™ 750



### Standard Features

- Digital calibration
- Auto shut-off
- 1" LCD digital readout
- Powered by 6 D cell batteries
- Infrared remote control
- Automatic backlight

### Specifications

**RESOLUTION:**

20 bit A/D delivers more than 1 million internal counts

**CONTROLS:**

Zero, On, Off, Backlight

**DISPLAY:**

1" (25 mm) 5-digit LCD

**INDICATORS:**

lb/kg

**POWER:**

(Batteries are not included) 6 D size disposable alkaline dry cells or rechargeable nickel-cadmium cells  
Battery life is one year of normal use.

**DIMENSIONS:**

Control box: 8.5" L x 5" W x 4.25" H  
(216 mm L x 127 mm W x 108 mm H)  
Lifting eye to hook: 9.5" (241 mm)

**ENCLOSURE:**

Weatherproof extruded-aluminum case

**APPROVALS:**

NTEP Class III 3000d,  
CC# 97-135A4  
CE

**EST. SHIP WEIGHT:**

8.5 lb (4 kg)

**AUTO SHUT-OFF:**

Low battery, or after five minutes without use

**ACCURACY:**

±0.1% of reading

**TEMPERATURE:**

Operating -4°F to 140°F  
(-20°C to 60°C)

**NOMINAL OVERLOAD:**

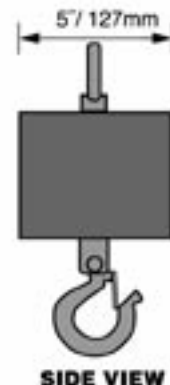
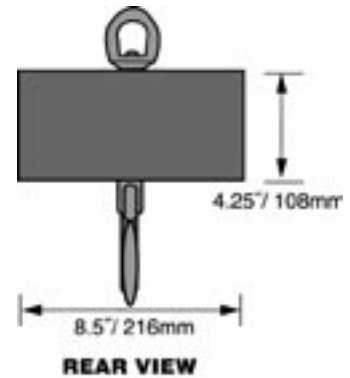
200% of capacity

**MAXIMUM OVERLOAD:**

500% of capacity

**WARRANTY:**

One-year limited warranty



PART #	CAPACITY	GRADUATION	EST. SHIP WEIGHT
82445	25 lb (12.5 kg)	0.01 lb (0.01 kg)	9 lb
82446	50 lb (25 kg)	0.02 lb (0.01 kg)	9 lb
43643	100 lb (50 kg)	0.05 lb (0.02 kg)	9 lb
43644*	300 lb (150 kg)	0.1 lb (0.05 kg)	9 lb
43645*	500 lb (250 kg)	0.2 lb (0.1 kg)	9 lb
43646*	1,000 lb (500 kg)	0.5 lb (0.2 kg)	9 lb

\*NTEP-Certified