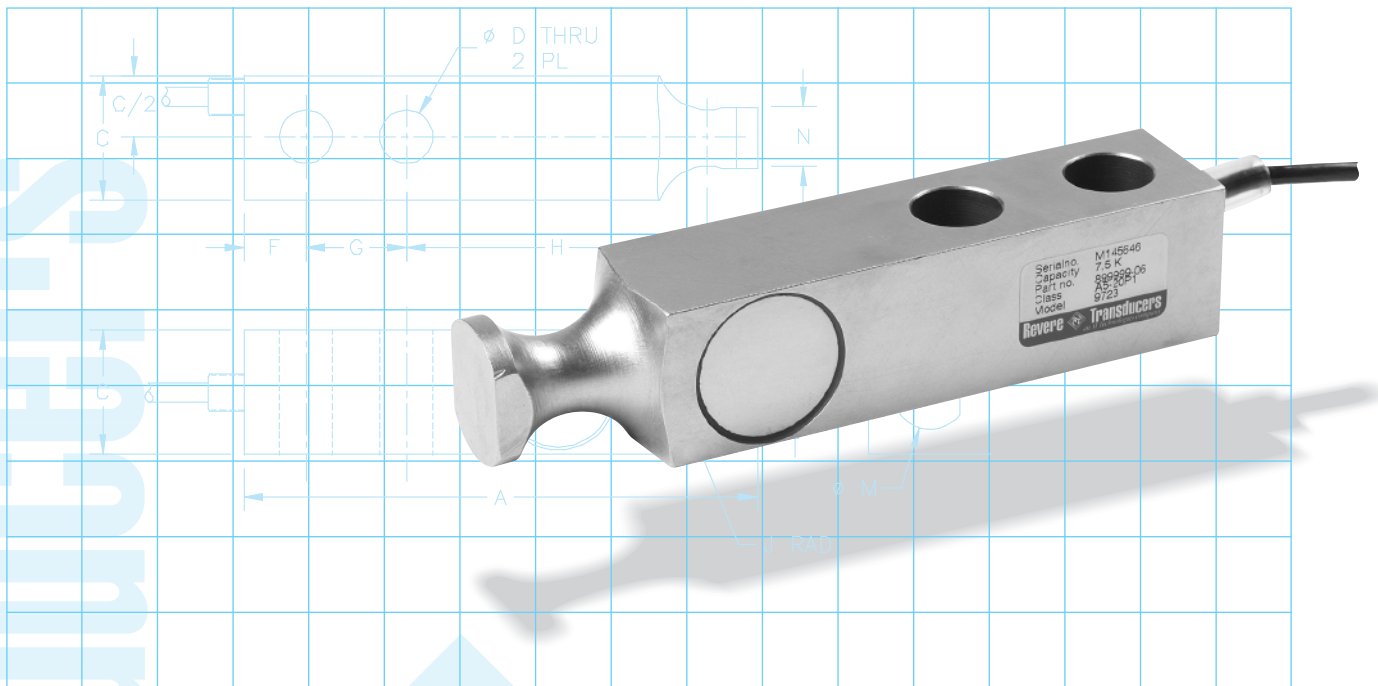


9723 SINGLE ENDED BEAM LOAD CELL



FEATURES:

- Capacities: 1 to 20K lbs
- Sealing: IP67 (DIN 40.050)
- Material: Stainless Steel
- Link nose design

DESCRIPTION:

The 9723 is a Single Ended Shear Beam type load cell. The link nose is specifically designed for platform scales that require some movement during the weighing process.

Installation is made easy using a ring that fits over the link nose and applies the load to the load cell.

A reliable sealing and mechanical protection of the strain gauge area is ensured by the use of potting compound with a metal cover.

APPLICATIONS:

- Platform scales
- Belt scales
- Livestock scales

APPROVALS:



Class III 5000d



Factory Mutual

9723: SPECIFICATIONS

Parameter	Symbol	Unit of Measure	Specification	
Imperial				
Capacities	E_{max}	lb	1, 1.5K	2.5K, 4K, 5K, 7.5K, 10K, 20K
Accuracy Class			D3	A5
Accuracy Class According to			Non-NTEP	NTEP Class III
Potentially Explosive Atmospheres options			Factory Mutual	
Maximum number of Verification Intervals	n_{ic}		5000d	
Minimum Verification Interval	V_{min}		0.23, 0.36, 0.45, 0.67, 0.90, 1.80	
Combined Error ¹		±%S	0.03	0.02
Creep error (20 minutes)		±%S	0.03	
Temperature Effect on Zero	TC_o	±%FS/5°C (1°F)	0.0135 (0.0015)	0.0090 (0.0010)
Temperature Effect on Output	TC_s	±%S/5°C (1°F)	0.0072 (0.0008)	
Rated Output	FS	mV/V	3 ± 0.008	
Compensated Temperature Range	T_{cps}	°C (°F)	-10 to +40 (+14 to +104)	
Operating Temperature Range	T_{opr}	°C (°F)	-53 to +93 (-65 to +200)	
Environmental Protection			IP67	
Cable Length		m (ft)	6 (20)	
Cable Type			4 Wire Shielded, shield is not connected to load cell body	
Zero Balance		±%FS	1.0	
Safe Load Limit	E_{lim}	% E_{max}	150	
Ultimate Load	E_{ult}	% E_{max}	300	
Safe Side Load Limit		% E_{max}	100	
Excitation Voltage		Volts AC or DC	10 Recommended, 15 Maximum	
Input Resistance		Ohms	350.0 ± 3.5	
Output Resistance		Ohms	350.0 ± 3.5	
Insulation Resistance at 50 VDC		Mega Ohms	>5000	
Element Material		ASTM	Stainless Steel	

Notes:

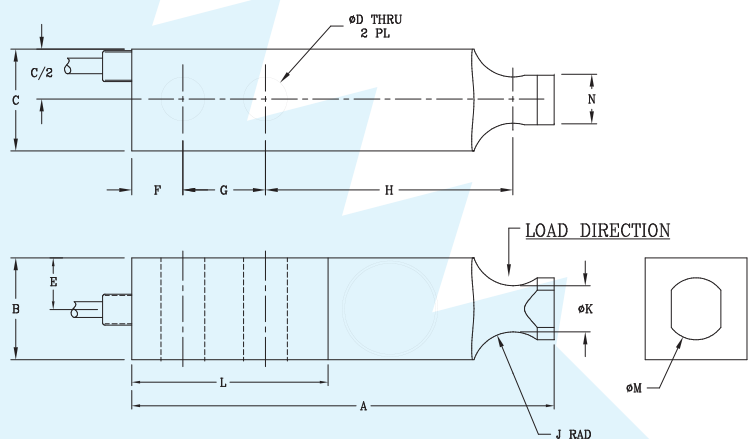
- We continually improve our products and therefore specifications are subject to change without notice.
- The accuracy may be affected if 4-wire load cell cables are shortened.

[1] Includes the effects of Non-Linearity and Hysteresis.

Wiring color code:

Excitation +	Red
Excitation -	Black
Output +	Green
Output -	White
Shield	Transparent

Capacity	Dimensions in inches		
	1K- 5K SE	5K - 15K	20 K
A	5.12	6.75	8.75
B	1.23	1.45	1.95
C	1.23	1.45	1.95
ØD	0.53	0.78	1.06
E	? 0.62	0.73	0.98
F	0.62	0.75	1.00
G	1.00	1.50	2.00
H	3.00	3.75	4.75
J Rad	0.50	0.69	0.95
ØK	0.56	0.69	1.00
L	2.38	3.12	4.00
ØM	0.75	1.25	1.75
N	0.60	1.00	1.30



Attention: All dimension tolerances according to ISO 2768m, unless otherwise specified.

Mounting:

Correct mounting of the load cells is essential to ensure optimum accuracy and performance. Further information is available on request.

REVERE TRANSDUCERS EUROPE
 Ramshoorn 7
 4824 AG Breda
 The Netherlands
 Tel.: (+11) 76 5412854
 Fax: (+31) 76 5480700
 E-mail: info@revere.nl
 www.revere.nl

REVERE TRANSDUCERS INC.
 14192 Franklin Avenue
 Tustin, CA 92780-7016
 U.S.A.
 Tel.: (+1) 714.731.1234
 Fax: (+1) 714.731.2019
 E-mail: info@reveretransducers.com
 www.reveretransducers.com