

PA08

Single Point Aluminum Load Cell

TRUE-TEC

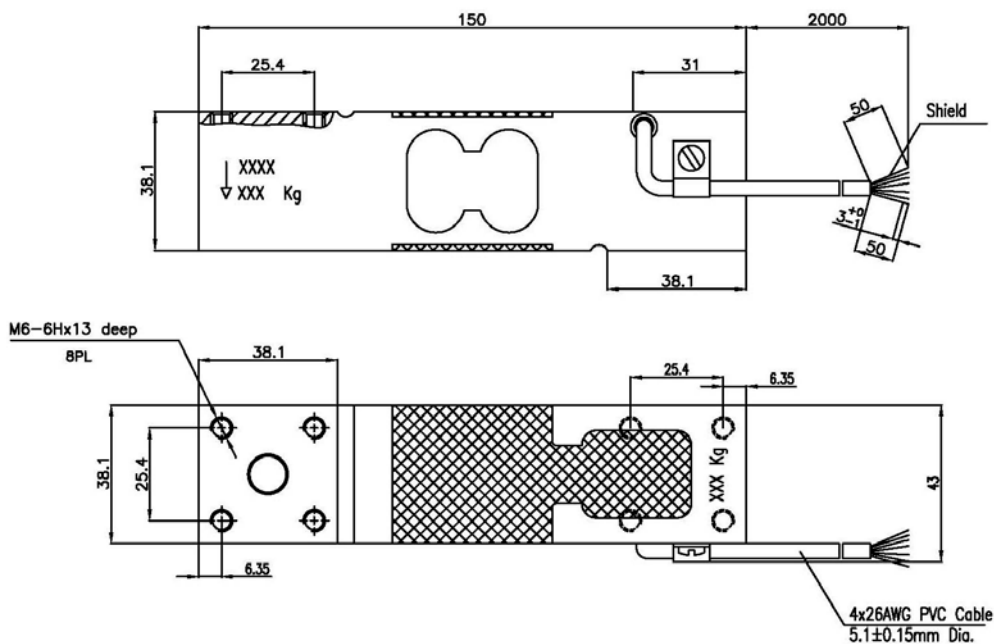
Quality by Advanced Technology



FEATURES

- Capacity 50-250kg
- Aluminum Construction
- Single point 400x400 mm platform
- IP66 protection
- OIML R60 Approved to C6 class
- Vishay1242 Compatible

OUTLINE DIMENSIONS



MOUNTING

M6 8.8 screws with socket head, tightening torque 7NM

SPECIFICATION

PARAMETER	UNIT	VALUE			
		P	R	T	V
True-Tec Grade		P	R	T	V
OIML Accuracy		C2.5	C3	C4	C6
Rated capacity (E_{max})	kg	50, 100, 150, 200, 250			
Sensitivity	mV/V	2.00			
Sensitivity tolerance	± mV/V	0.20			
Zero balance	± mV/V	0.10			
Maximum Number of Intervals		2500	3000	4000	6000
$Y=E_{max}/V_{min}$	Minimum	4500	6000	8000	10000
$Z=E_{max}/(2*DR)$	Minimum	2500	3000	4000	6000
Eccentric loading error	±%/cm	0.0057	0.0042	0.0042	0.0024
Maximum platform size	cm	40x40			
Nominal temperature range	°C	-10 to +40			
Service temperature range	°C	-30 to +70			
Limit load	% of R.C.	150			
Break load	% of R.C.	300			
Nominal excitation	V	10			
Max. excitation	V	15			
Input impedance	Ohm	406 ± 15			
Output impedance	Ohm	350 ± 3			
Insulation resistance	MOhm	>2000			
Compensation circuit type		Balanced Bridge			
Cable length	Meter	2.0			
Cable type		4x26 AWG, Black PVC Jacket			
Color code		+exc -green, +sig-red, -exc-black, -sig- white			
Construction		Anodized Aluminum Alloy			
Protection class to IEC529		IP 66			

APPLICATIONS

Model PA08 is a low profile, high performance single point load cell designed for industrial applications where space is limited. Typical applications include platforms, hanging scales, and personal scales.

A special humidity resistant protective coating assures long term stability over the entire compensated temperature range.

The PA08 provides scale manufacturers with a high accuracy low cost sensor to meet today's needs.

Due to True-Tec's Policy of continuous development, these specifications are subject to change without notice.
All details describe our products in general form only. They are not to be understood as express warranty and do not constitute any liability whatsoever.

Beijing True-Tec Co., Ltd.

4/F, Bldg. 2, No. 8, Hong Da Bei Lu,
BDA, Beijing 100176, China

Tel.: +86-10-67869219 Fax: +86-10-67862581

E-mail: info@true-tec.com www.true-tec.com